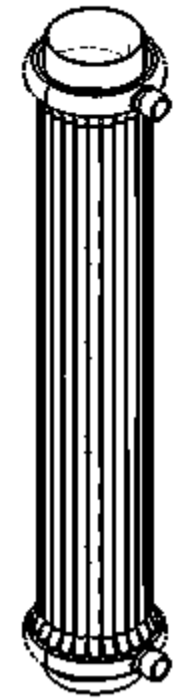
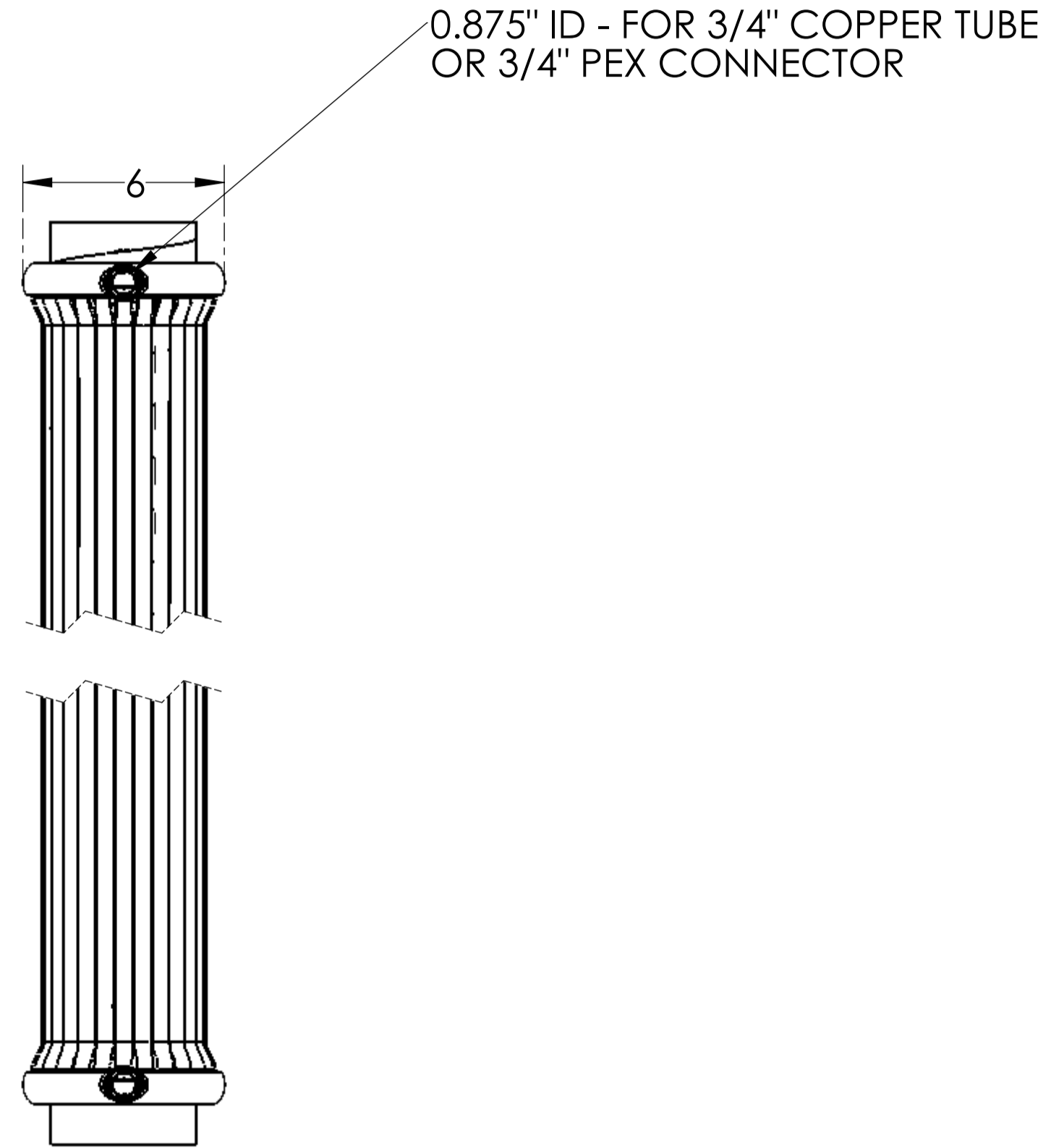
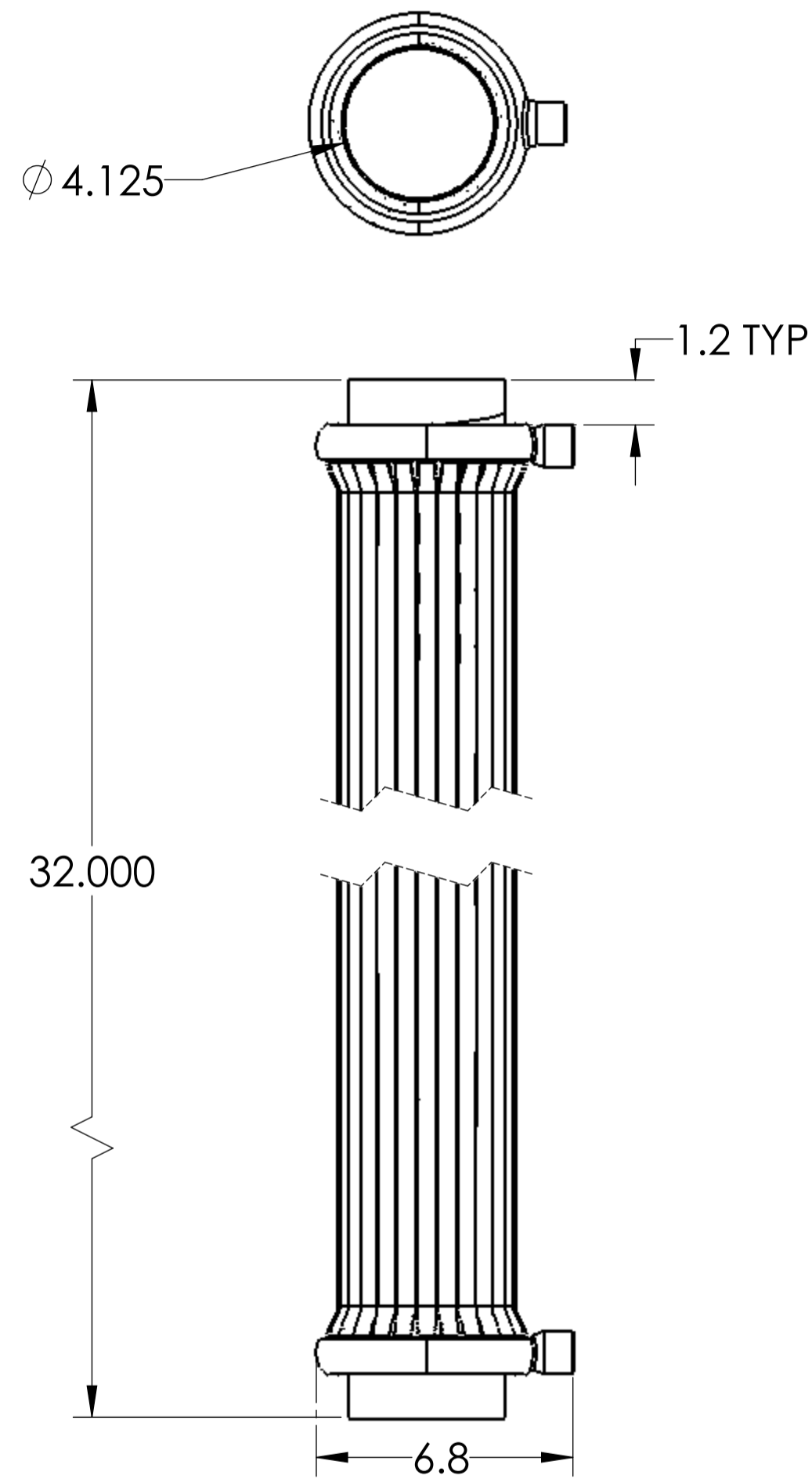


NOTE:
 - THE MINIMUM RECOMMENDED CLEARANCE BETWEEN THE WALL AND THE DRAIN LINE IS 1 INCH
 - ALL DIMENSIONS ARE IN INCHES



ECODRAIN INC. 4800 St-Ambroise, Suite #115 Montréal, Qc, Canada H4C 3N8 514-448-4798 Montréal, Qc H4C 3N8 Canada		Heat Recovery Efficiency at 9.5 L/min	Nominal diameter		Length		Heat Energy Recovery Rate	Pressure loss		Mass	
			%	in	mm	in		mm	kW	psi	kPa
VT-1000-4-32	REV-0	44.6	4	101.6	32	812	8.5	1.1	7.9	20.3	9.2
Wednesday, November 23, 2016 1:24:51 PM		1/1									